



Frame SF with Telescopic cross bar



Lifting column SF with Control box Compact

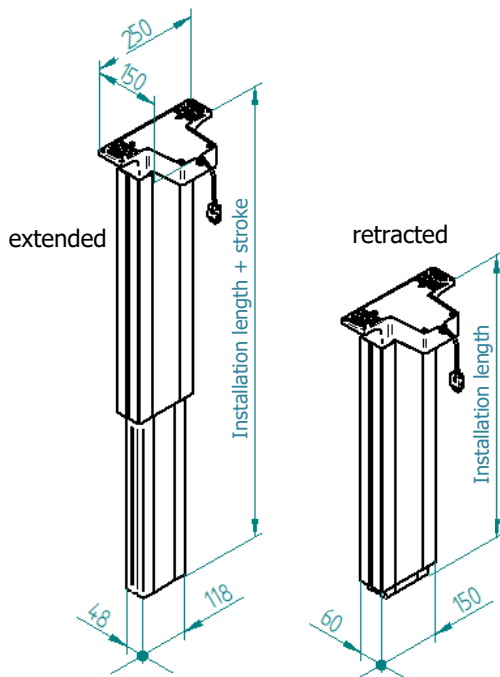
Lifting column SF

Art. no.: 909.xxxxx

The lifting column **SF** consists of two colorless anodized aluminum profiles that are guided with plastic glides. Each lifting column has an internal motor that drives a threaded spindle.

The motor cable length is 2.0 meters.

The assembly T-slots (width 8 mm) on the narrow side of the profile enable a traverse or other attachments to be attached.



Performance data lifting column SF

Number of lifting columns	2
Load per lifting column	100 kg
Lifting speed	20 mm / s
Stroke	300 / 400 mm
Installation length	570 / 670 mm
Duty cycle E/D (On/Off)	2/40 min

Lifting system SF

2x Lifting column SF	
1x Control box Compact with Power cable EU	
1x Cable remote control Memory	
Art. no.:	909.61003 (300 mm stroke)
	909.61004 (400 mm stroke)

Frame SF

1x Lifting columnSF	
1x Telescopic Cross bar (900 – 1550 mm)	
2x Table plate support SF	
2x Table foot with Adjustable feet	
Art. no.:	909.71003 (300 mm stroke)
	909.71004 (400 mm stroke)

Nutengeometrie

