

Lifting column EA 1665 – 801.00036
«Designed by Ergoswiss»

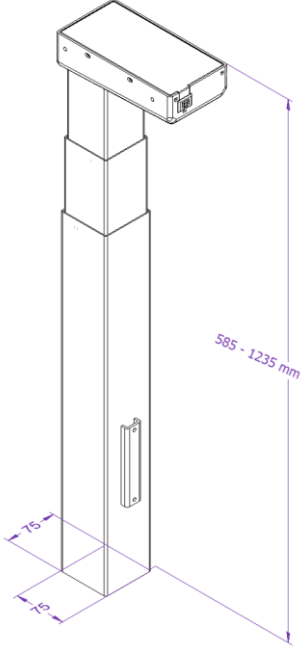
Hand switch E-M1
124.00861

Control box EA2 100-240V
124.00802

Control box EA4 100-240V
124.00804

Product line «LiteLine»

Offers starting October 2025
Delivery starting February 2026



Download CAD Data at www.ergoswiss.com

Lifting column EA 1665

Art. No.: 801.00036

The lifting column EA consists of 3 anthracite (RAL 7021) powder coated steel profiles, a polymer linear guide system and an electromechanical spindle drive.

In combination with the simple 2- or 4-channel control box with wide-range power supply, lightweight and cost-efficient industrial workstations can be realized.

Available as

- 2-leg lifting system or 2-leg frame
- 4-leg lifting system or 4-leg frame

Technical data

Max. load for 1 lifting column	1'000 N
Max. load for 2 lifting columns	2'000 N
Max. load fro 4 lifting columns	4'000 N
Max. tensile load per column	50 N
Lifting speed	20 mm/s
Fitting length	585 mm
Stroke length	650 mm

Lifting system EA 2665 EU CH UK 42

Art. No.: 801.20053-PP01

- 1x 801.00036-PP02 Lifting column EA 1665 2x
- 1x 801.10043-PP01 Control box set EA2 EU CH UK 42

Lifting system EA 2665 US 42

Art. No.: 801.20048-PP01

- 1x 801.00036-PP02 Lifting column EA 1665 2x
- 1x 801.10033-PP01 Control box set EA2 US 42

Lifting system EA 4665 EU CH UK 42

Art. No.: 801.20113-PP01

- 2x 801.00036-PP02 Lifting column EA 1665 2x
- 1x 801.10143-PP01 Control box set EA4 EU CH UK 42

Lifting system EA 4665 US 42

Art. No.: 801.20108-PP01

- 2x 801.00036-PP02 Lifting column EA 1665 2x
- 1x 801.10133-PP01 Control box set EA4 US 42

Frame EA 2665 EU CH UK 42

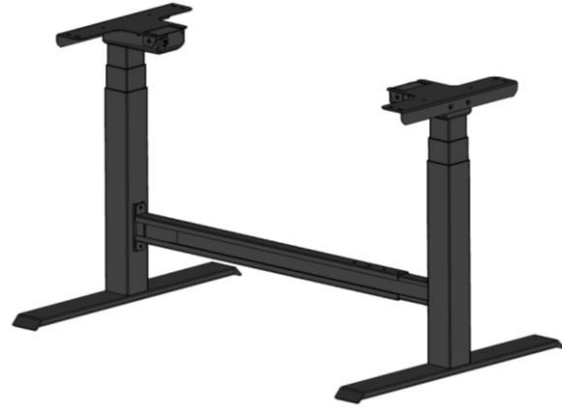
Art. No.: 801.30053-PP01

- 1x 801.00036-PP02 Lifting column EA 1665 2x
- 1x 801.10043-PP01 Control box set EA2 EU CH UK 42
- 1x 801.70002-PP01 Crossbar set EA2 900-1550

Frame EA 2665 US 42

Art. No.: 801.30048-PP01

- 1x 801.00036-PP02 Lifting column EA 1665 2x
- 1x 801.10033-PP01 Control box set EA2 US 42
- 1x 801.70002-PP01 Crossbar set EA2 900-1550



Frame EA 4665 EU CH UK 42

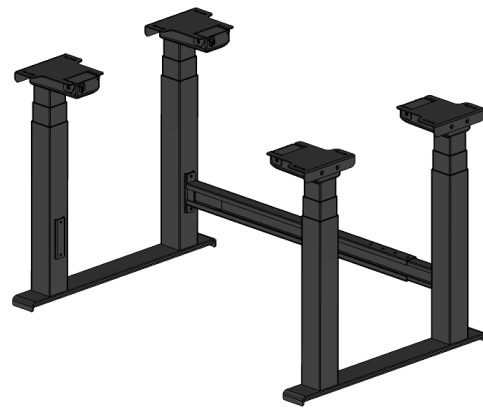
Art. No.: 801.30113-PP01

- 2x 801.00036-PP02 Lifting column EA 1665 2x
- 1x 801.10143-PP01 Control box set EA4 EU CH UK 42
- 1x 801.70012-PP01 Crossbar set EA4 900-1550

Frame EA 4665 US 42

Art. No.: 801.30108-PP01

- 2x 801.00036-PP02 Lifting column EA 1665 2x
- 1x 801.10133-PP01 Control box set EA4 US 42
- 1x 801.70012-PP01 Crossbar set EA4 900-1550



Spare parts

Hand switch E-M1

Art. Nr.: 124.00861-PP01

- 1x 124.00861 Hand switch E-M1

Motor cable EA 2m 2x

Art. Nr.: 124.00871-PP02

- 2x 124.00871 Motor cable EA 2m

Carrier plate EA2 2x

Art. Nr.: 127.00801-PP02

- 2x 127.00801 Carrier plate EA2

Carrier plate EA4 2x

Art. Nr.: 127.00811-PP02

- 2x 127.00811 Carrier plate EA4

Power cable set EA2 EU CH UK US

Art. Nr.: 124.00885-PP01

- 1x 124.00881 Power cable EA2 EU/CH
- 1x 124.00883 Power cable EA2 UK
- 1x 124.00884 Power cable EA 2 US

Power cable set EA4 EU CH UK US

Art. Nr.: 124.00895-PP01

- 1x 124.00891 Power cable EA4 EU
- 1x 124.00892 Power cable EA4 CH
- 1x 124.00893 Power cable EA4 UK
- 1x 124.00894 Power cable EA4 US